

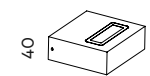


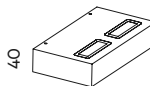
Vespa

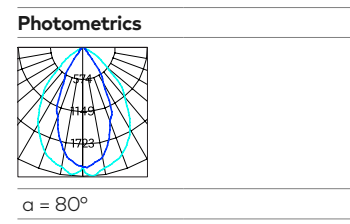
WALL LIGHT

Bathe the front and sides of your home with an upward glow by installing the Vespa Wall Light. Its minimalist design is combined with a weather proof construction that will stand up to Mother Nature's onslaughts.

- Available in two sizes to suit different applications
- Suitable for indirect ceiling lighting to replace downlights
- Available in a UV textured black or white finish

Small
Measurements (mm)
 40 110x100
Absolute Luminous Flux
10W (700mA) 840lm (at 3000K)
Beam
80° (F)

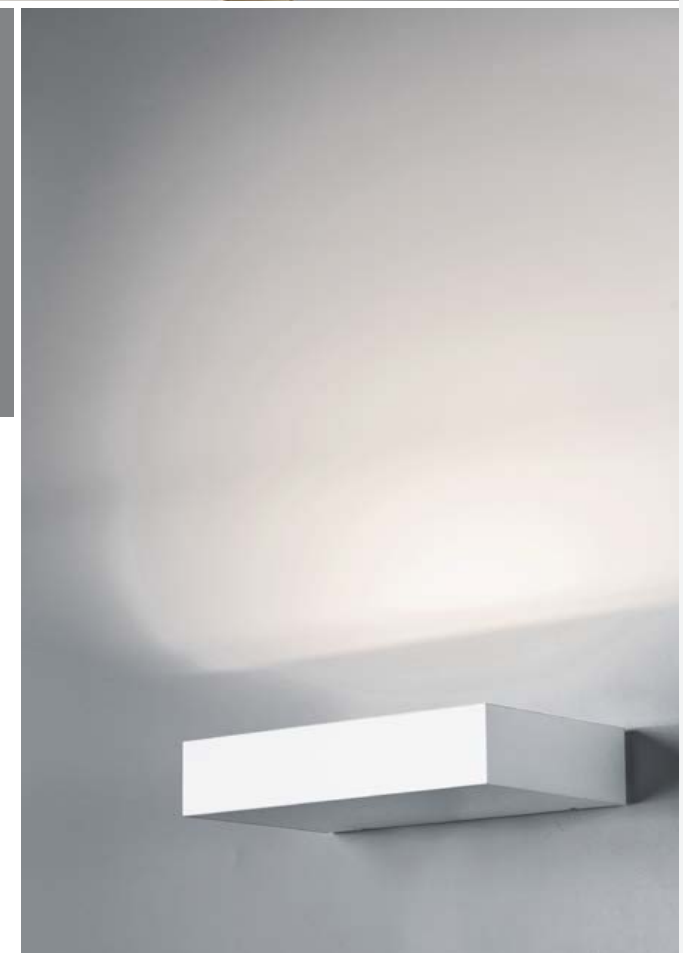
Large
Measurements (mm)
 40 110x200
Absolute Luminous Flux
22W (700mA) 1780lm (at 3000K)
Beam
80° (F)



Finishes
UV Textured Black
UV Textured White
General Specifications
Material Powder Coated Aluminium
IP 65
Warranty 3 Years

LED
Colour Temp 3000K
CRI 80+
Efficacy Up to 82lm/w
Colour Deviation SDCM \leq 3
Lifetime 70,000h L70

Driver
Power Factor >0.90
240V Built-in PC Dimmable Driver DALI Driver must be remote.
Dimming LED Phase-Cut Dim (PC) DALI Dim Optional



Top: Residential application
Right: Wide 80° beam angle
Above: Vespa lens

A	B	C	D	E	F
VESP	0010	TB	30	F	-
Product Family	Vespa Wall Light				
Power	10W	22W			
Finish	Textured Black Textured White				
CCT	3000K				
Beam	Flood				
Driver (DALI drivers can be configured via Product Toolbox)	Phase Cut Dimmable Driver included				

Example: **VESP0010.TB30.F**
Refer to data sheet for available configurations.
Visit Product Toolbox at unios.com/vespa to configure compatible Osram/Tridonic DALI drivers.