

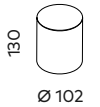
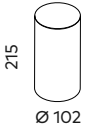
# Titanium

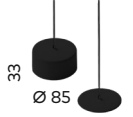




SURFACE MOUNTED DOWNLIGHT

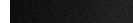
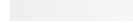


This cylindrical surface mounted downlight combines a striking design with beautiful colour rendering to enhance any room. Its surface mounted construction makes this downlight ideal for installing onto concrete ceiling surfaces — whether it's in a living area or hallway.

- Designed with the ability to be surface mounted (standard) or suspended (with a pendant kit)
- Available with a gold inner trim
- An extension of the Titanium family of luminaires
- Custom powder coated canisters available upon request



Small (130mm)			Medium (215mm)		
Measurements (mm)			Measurements (mm)		
 <p>130 Ø 102</p>			 <p>215 Ø 102</p>		
Absolute Luminous Flux			Absolute Luminous Flux		
	3000K	4000K		3000K	4000K
13W (350mA)	1190lm	1225lm	13W (350mA)	1190lm	1225lm
Beam			Beam		
15° (P)   36° (M)   60° (W)   75° (F)			15° (P)   36° (M)   60° (W)   75° (F)		

Accessories		
Luminaire Accessories		
 <p>33 Ø 85</p>		
TIPM0100.TB (Black) TIPM0100.TW (White)	TA007 (100mm)	FL001 (84/100mm)
2M Pendant Kit (For 215mm)	Titanium Gold Fascia	Frosted Lens (75°)
		
HL003 (84/100mm) Honeycomb Lens	LL001 (84/100mm) Linear Lens	

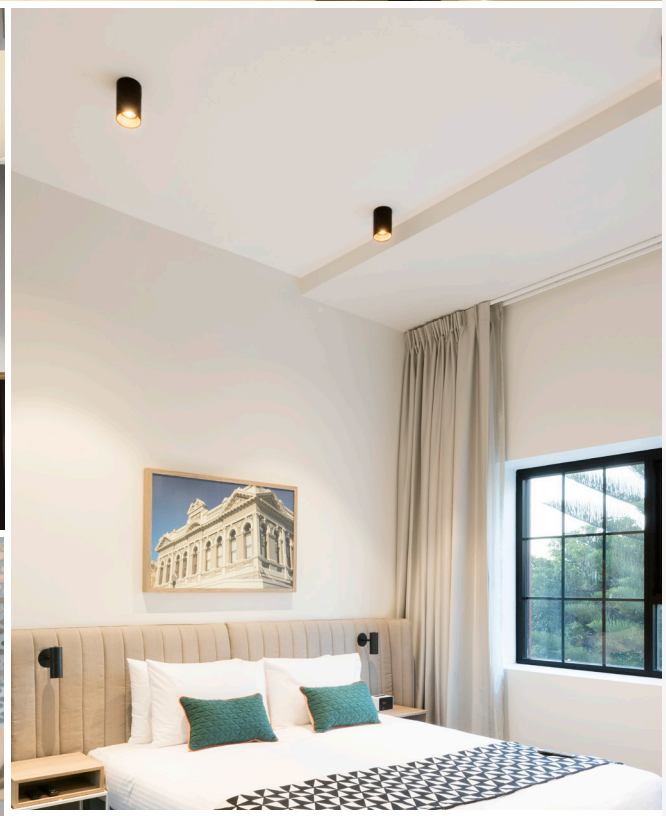
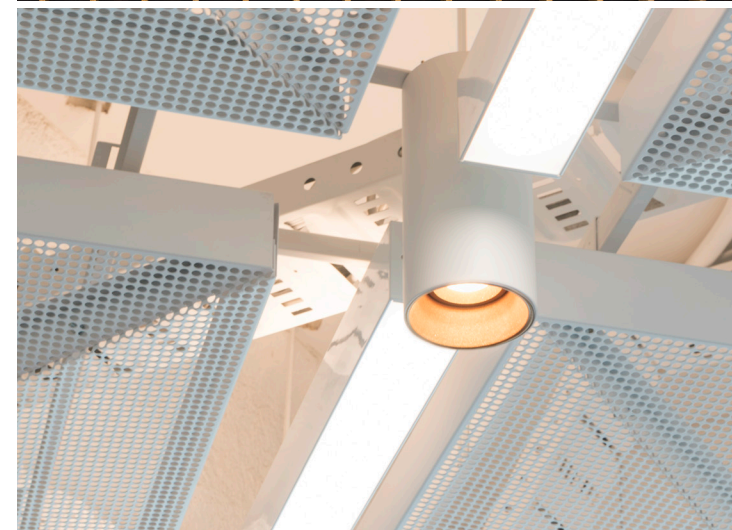
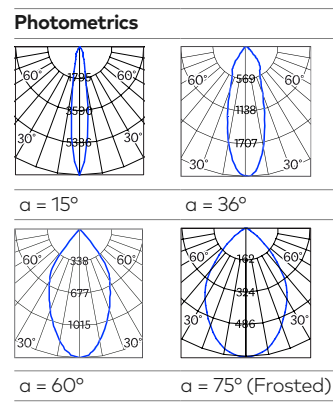
Finishes	
UV Textured Black	
UV Textured White	
Textured Black/Gold	
Textured White/Gold	

General Specifications	
<b>Material</b>	Powder Coated Aluminium, Cord: 2 Core Fabric Cord (Pendant Kit)
<b>IP</b>	20
<b>UGR (Unified Glare Rating)</b>	<16
<b>Warranty</b>	5 Years

LED	
<b>Colour Temp</b>	2700K, 3000K, 4000K
<b>CRI</b>	92+, 97+
<b>Efficacy</b>	Up to 83lm/w
<b>Colour Deviation</b>	SDCM ≤ 3
<b>Lifetime</b>	>100,000h L70

Driver	
<b>Power Factor</b>	>0.90
<b>Medium (215mm)</b>	240V Built-in PC Dimmable Driver DALI Driver must be remote.
<b>Dimming</b>	LED Phase-Cut Dim (PC) DALI Dim Optional

**Notes**  
130mm supplied as downlight and canister accessory with a remote driver. 215mm model supplied as complete unit.



Top & Above: Quest Apartments  
Above Left: Rambla on Swan  
Left: ARUP Office (Titanium Pendant)

A	B	C	D	E	F	Product Family	Size	Beam	Finish	CCT	E	Beam	F	Driver
TISM	0130	TB	30	M	-	Titanium Surface Mounted	130mm 215mm	27 30 40	TB TW BG WG	2700K 3000K 4000K	P M W F	Pencil Medium Wide Flood	-	Standard Dimmable Driver included

Example: TISM0130.TB30.M  
Refer to data sheet for available configurations.  
Visit Product Toolbox at [unios.com/titaniumsm](https://www.unios.com/titaniumsm) to configure compatible Osram/Tridonic DALI drivers.